

BOSS[®]
#1 COMPREHENSIVE ELECTRICAL RANGE



- Dustproof, Waterproof and UV Resistant
- PVC Solvent Bonding Compatibility
- Clear Plastic Covers
- Designed to Mix and Match
- Safety in Operation

IP 56



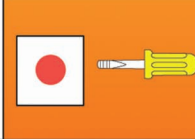
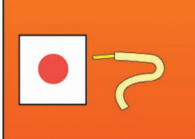

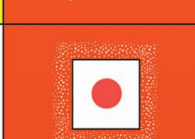
INDUSTRIAL SWITCHGEAR

AGN
AUSTRALINDO
GRAHA NUSA

www.boss.co.id

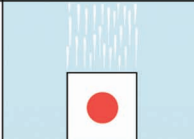

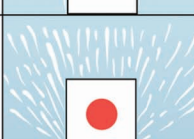
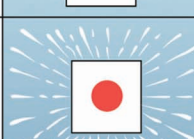


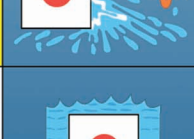
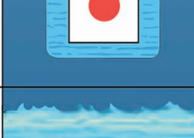
INTERNATIONAL PROTECTION RATINGS

Protection Against Contact of External Solid

	TEST	PROTECTION
X	No test applied	No specific protection
0	No test applied	Inherent degree of Protection
1		Protected against solid objects larger than 50mm (eg. accidental contact with hand)
2		Protected against solid objects larger than 12mm (eg. contact with fanger).
3		Protected against solid objects larger than 2.5mm (eg. tools and wires).
4		Protected against solid objects larger than 1mm (eg. fine tools and wires).
5		Protected against dust. Prevent entry in sufficient quantity interfere with satisfactory operation.
6		Completely protected against dust.

Defined by
IEC 529
DIN 40050
CEI 70-1

Protection Against The Penetration of Liquids

	TEST	PROTECTION
X	No test applied	No specific protection
0	No test applied	Inherent degree of Protection
1		Protected against drops of water falling vertically.
2		Protected against drops of water falling at up to 15° from the vertical.
3		Protected against spraying water at up to 60° from the vertical.
4		Protected against splashing water from all directions.
5		Protected against jets of water from all directions.
6		Protected against jets of water of similar force to heavy seas.
7		Protected against the effects of immersion.
8		Protected against the effects of submersion.

Defined by
IEC 529

INDUSTRIAL SWITCHGEAR

DUST-RESISTANT, WATERPROOF AND UV RESISTANT

Because its tough enclosure casing is dustproof, waterproof and UV resistant, the BOSS 56 Series is suitable for heavy industrial environments.

The aesthetic appearance of the BOSS 56 Series makes it the ideal choice for installation in commercial facilities such as television studios, shopping centres and warehouses.

SAFETY IN OPERATION

For safety's sake all of the switches in the range have been equipped with facilities for double padlocking.

When plugs are removed, the socket flap automatically locks into place, preventing dust or water from entering.



PROTECTED AGAINST DUST. PREVENT ENTRY IN SUFFICIENT QUANTITY INTERFERE WITH SATISFACTORY OPERATION.



PROTECTED AGAINST JETS OF WATER OF SIMILAR FORCE TO HEAVY SEAS.

PVC SOLVENT BONDING COMPATIBILITY

All BOSS 56 Series Enclosures are manufactured from robust UV stabilised PVC and can be solvent bonded to standard electrical PVC conduit accessories.

TRANSPARENT PLASTIC MATERIALS

The introduction of transparent materials to the BOSS 56 Series enables the inspection and checking of the components pin/socket configuration and wiring at a glance, while still providing protection against the elements.

- 1 Raised lettering for long life of markings
- 2 Clear indication of switch position
- 3 Padlock on/off facility
- 4 Visible Gasket - your guarantee of sealing
- 5 Transparent flap clearly shows pin configuration
- 6 Flap automatically closes to ensure IP rating is maintained

IP 56



INDUSTRIAL SWITCHGEAR

SURFACE SWITCHES



B56SW110
10A 250V 1 Pole Switch

B56SW115
15A 250V 1 Pole Switch

B56SW120
20A 250V 1 Pole Switch

B56SW132
32A 250V 1 Pole Switch

B56SW140
40A 250V 1 Pole Switch

B56SW320
20A 500V 3 Poles Switch

B56SW332
32A 500V 3 Poles Switch

B56SW350
50A 500V 3 Poles Switch

B56SW363
63A 500V 3 Poles Switch

SURFACE SOCKET OUTLET



B56SO313
13A 250V 3 Pins
British Standard



B56SO320
20A 250V 3 Round
Pins



B56SO332
32A 250V 3 Round
Pins



B56SO420
20A 500V 4 Round
Pins



B56SO432
32A 500V 4 Round Pins



B56SO520
20A 500V 5 Round Pins



B56SO532
32A 500V 5 Round Pins



B56SO210/16
16A 250V Schuko Socket
Outlet

COMBINATION SURFACE SWITCHED SOCKET OUTLET & ENCLOSURE MOUNTING BOX



B56C313
13A 250V 3Pins
British Standard,
Single Pole
Switch



B56C332
32A 250V
3 Round Pins,
Single Pole
Switch



B56C520
20A 500V
5 Round Pins,
Triple Poles
Switch



B56C550
50A 500V
5 Round Pins,
Triple Poles
Switch



B56C320
20A 250V
3 Round Pins,
Single Pole
Switch



B56C432
32A 500V
4 Round Pins,
Triple Poles
Switch



B56C532
32A 500V
5 Round Pins,
Triple Poles
Switch



B56CB4N
Box for ELCB

STRAIGHT PLUGS



B56P313
 13A 250V 3Pins
 British Standard



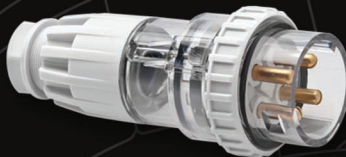
B56P320
 20A 250V
 3 Round Pins



B56P332
 32A 250V
 3 Round Pins



B56P420
 20A 500V
 4 Round Pins



B56P432
 32A 500V
 4 Round Pins



B56P520
 20A 500V
 5 Round Pins

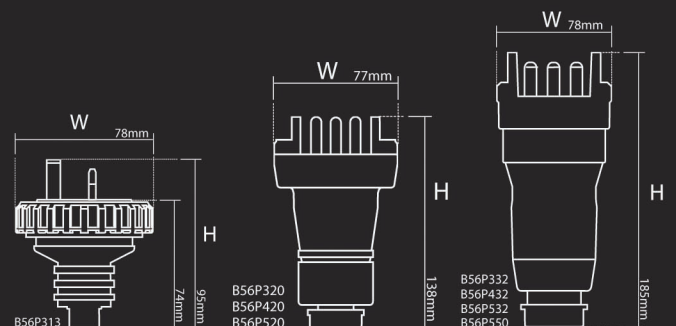
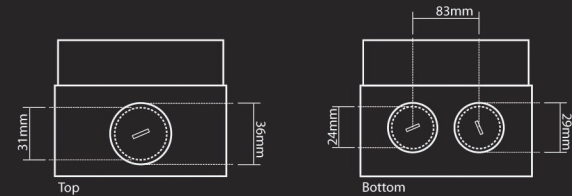
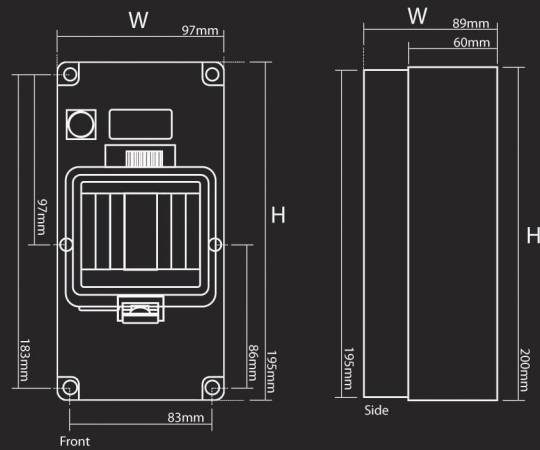
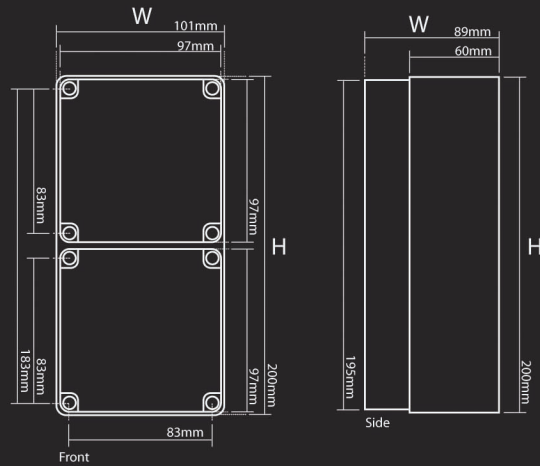
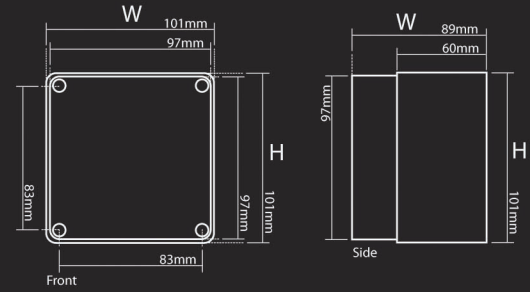


B56P532
 32A 500V
 5 Round Pins



B56P550
 50A 500V
 5 Round Pins

DIMENSIONS



WEATHER PROTECTED

The BQSS Weatherprotected series is a robust range of switches suitable for virtually any external application. Included in the range are single and triple pole switches from 20 to 63 Amps.



IP 56

The base mounted mechanism provides for easier termination and more wiring room. Switch dimensions are 160mm x 81mm with an overall height of 85mm.

Fixed Earth and Neutral connector bars with dual clamping screws per tunnel provide equal stripping lengths and secure clamping for all cables. Terminal bore size is 5 x 6.6mm.

A safety feature for mounting switches to metal structures is the insulating caps that cover base mounting screws to totally protect them from any live cables.

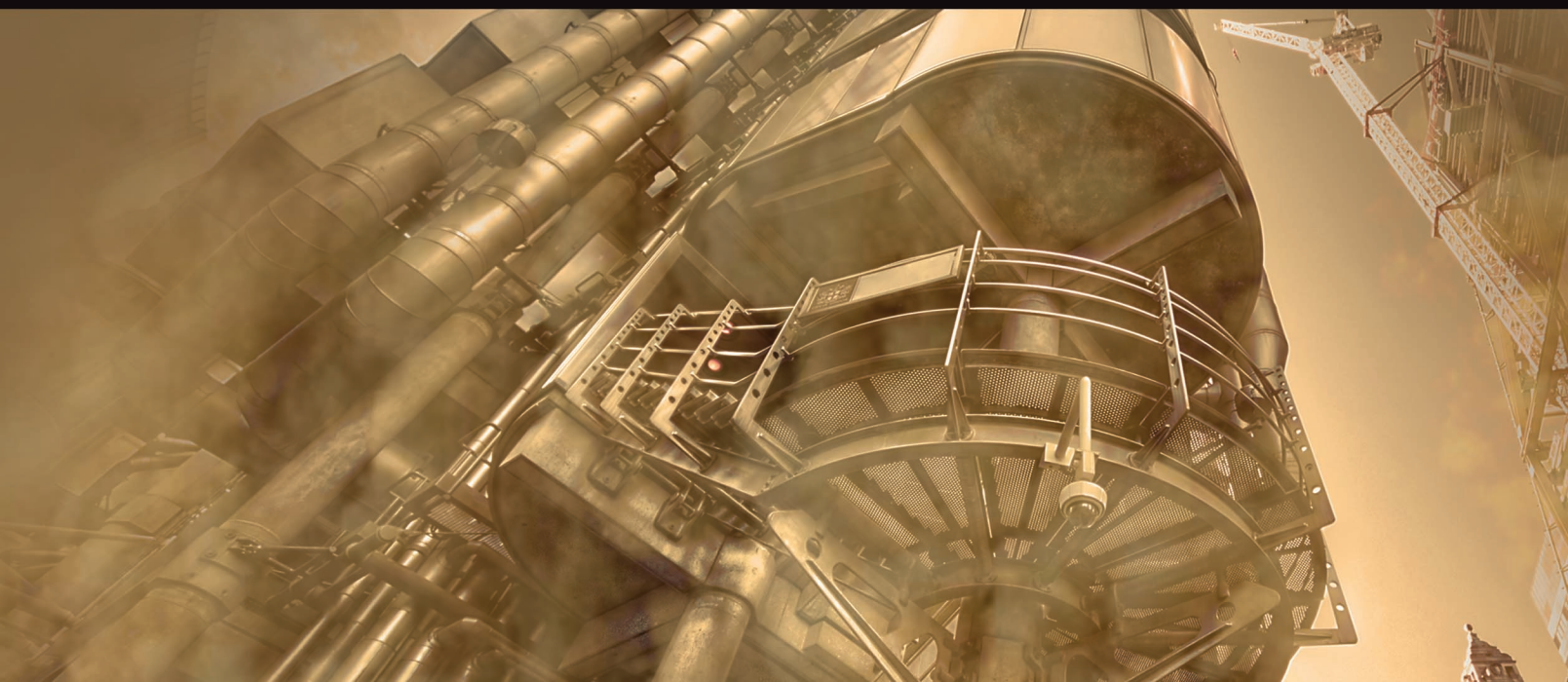
Dual 25mm screwed conduit entries top and bottom (up to 55 amp.) allows four ways to surface wire the switch. 55 amp. and above are also available with 32mm entries top and bottom.

Each unit is supplied with screwed conduit plugs and screwed reducers for easy connection to 25mm or 20mm conduits and screw caps.

Screw caps must be installed to ensure IP Rating.

The Impact Resistant base and cover will survive the hardest knocks in almost any installation. The two sections are sealed with a one piece weatherseal gasket.

For security, a 7mm diameter hole is provided for padlocking the lever in the OFF position. Deep moulded barriers protect the operating lever from physical abuse or accidental switching.

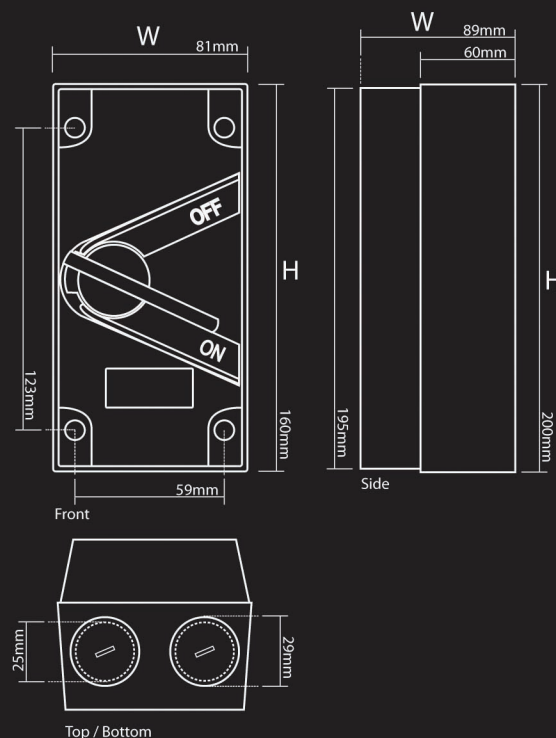


WEATHER PROTECTED

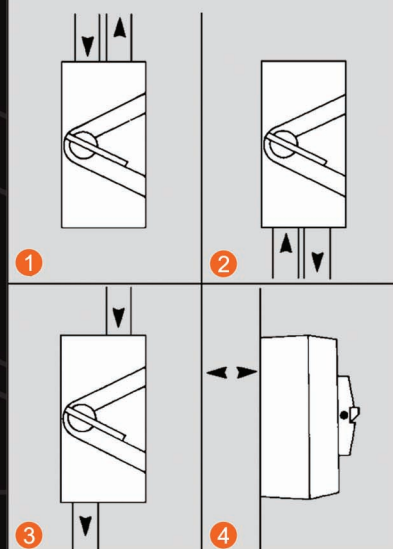


- WPS20**
20A 250V 1 Pole switch
- WPS35**
35A 250V 1 Pole switch
- WPT20**
20A 440V 3 Pole switch
- WPT35**
35A 440V 3 Pole switch
- WPT63**
63A 440V 3 Pole switch

DIMENSIONS



Conduit Entry Alternatives



- 1 Cables looped in and out from overhead.
- 2 In and out from underground.
- 3 In and out straight through the switch.
- 4 Two 25mm rear knockouts are moulded in the base for surface mounting with concealed wiring.

Dual 25mm screwed conduit entries top and bottom (up to 55 amp.) allows four ways to surface wire the switch.



BOSS®

#1 COMPREHENSIVE ELECTRICAL RANGE

MS.DI.IP56.01-0318



- Available in single and triple poles
- from 20 to 63 Amps.
- Base mounted mechanism provides for easier termination and more wiring room.
- The Impact Resistant base & cover will survive the hardest knocks in almost any installation.

IP 56

AGN
AUSTRALINDO
GRAHA NUSA

WEATHER PROTECTED

www.boss.co.id